

TAKEYA®

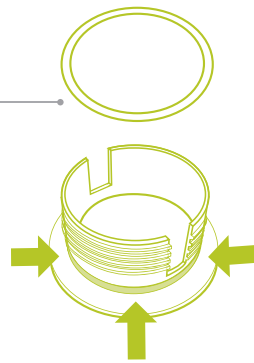
INSTRUCTIONS FOR CLEANING COMPONENTS

USE AND CARE

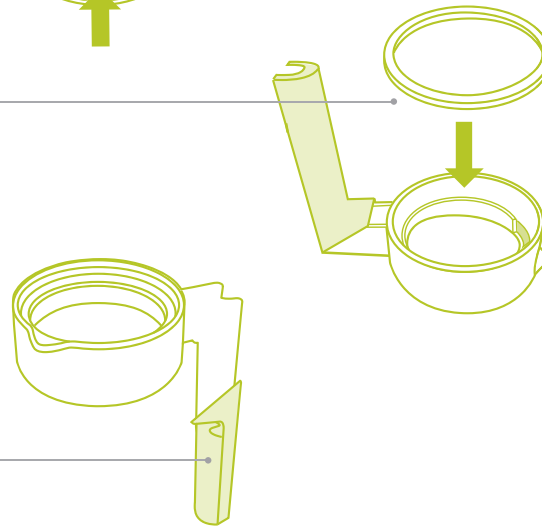
Step 1
Detach all the
components



Step 2
Remove Round O-Ring
from twist lid



Step 3
Remove Flat O-Ring
from inside lid



Step 4
Remove silicon grip
from handle

Step 5
Wash each component
with soap and hot water
or in dishwasher

